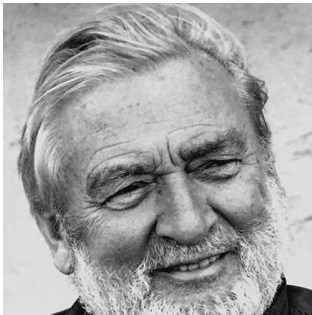
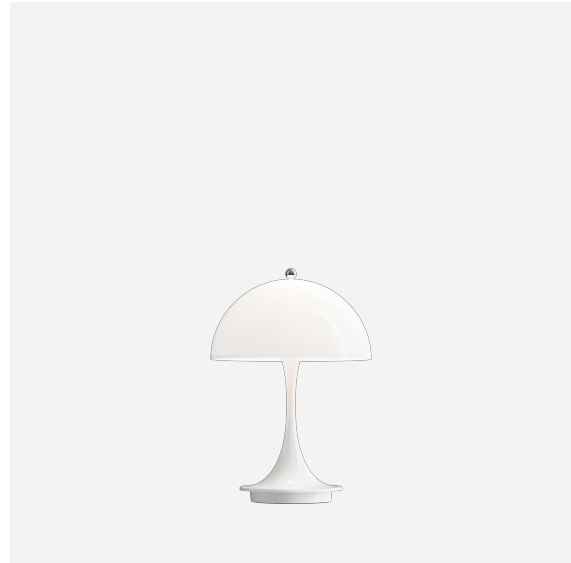


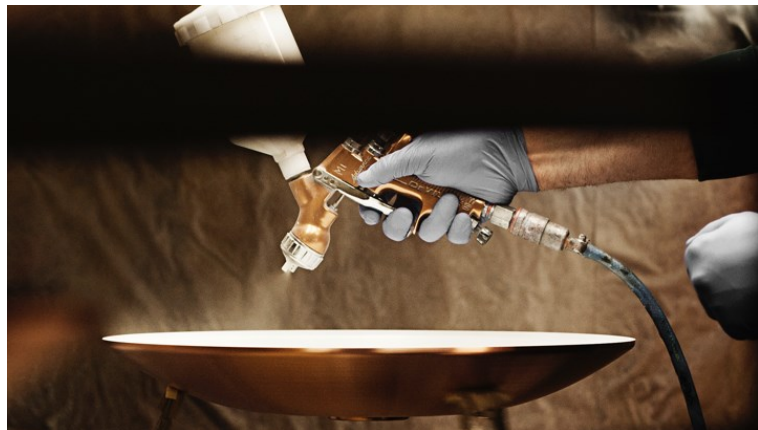
Panthella Portable

The fixture lights up any space harmoniously without glare. The portable table lamp is available in opal, and the transparency of the shade and the reflection of the downward light on the inner side of the shade provides a gentle light and subtle ambience.



Verner Panton

Verner Panton (1926-1998) is famous for his inspirational and colorful personality. A unique person with a special sense for color, shape, light function and space. Over the course of his career, Panton introduced a series of modern lamps with personalities unlike any of his Scandinavian contemporaries.



Product info

Finish

White opal acrylic.

Materials

Shade: Injection moulded opal acrylic Base: Die cast aluminium

Mounting

Cable length: 1.5m. Power: USB cable for standard USB adapter Light control: Switch on base Battery lifetime: 5 hours @ 100% Step-dim: 0%/10%/33%/100%

Sizes and weights

Width x Height x Length (mm) | 160 x 230 x 160 Max 0.5 kg

Class

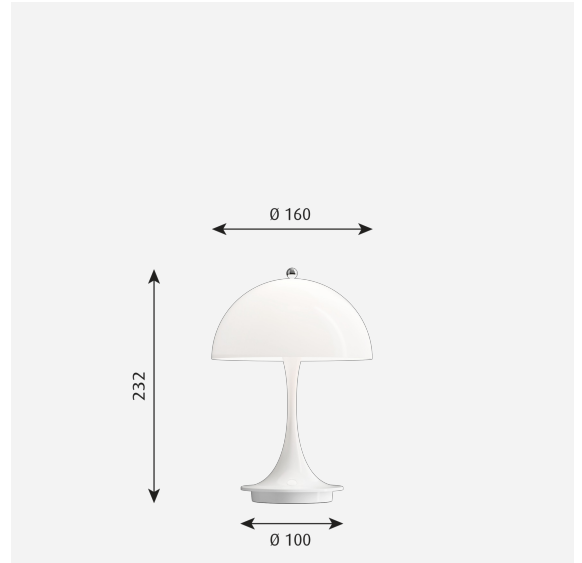
Ingress protection IP23. Electric shock protection III

Light source

LED 2700K 2.5W

Information

Please note that the Panthella Portable comes with a USB-cable but without an adapter. Separate USB-Adapter is available as accessory.



Product family



Panthella Table

Panthella Floor

Panthella MINI

Product variants

Light source	Colour	Class	Lumen
LED 2700K 2.5W	<input type="radio"/> Opal	III	230

Design

Verner Panton

Weight

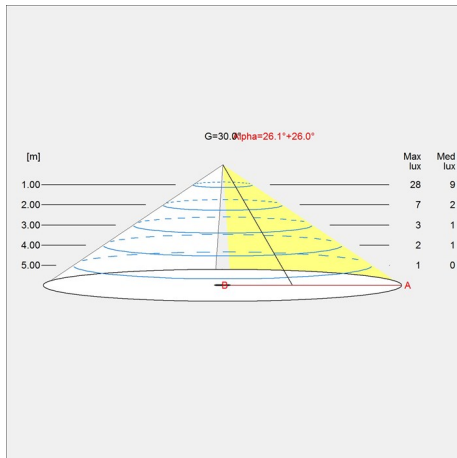
0.5

Finish

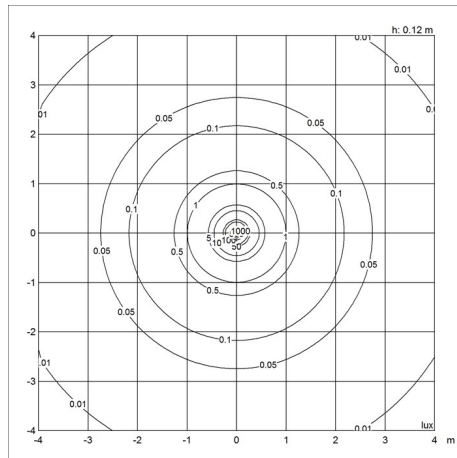
Opal

Light distribution diagrams

Cartesian



Isolux



Polar

